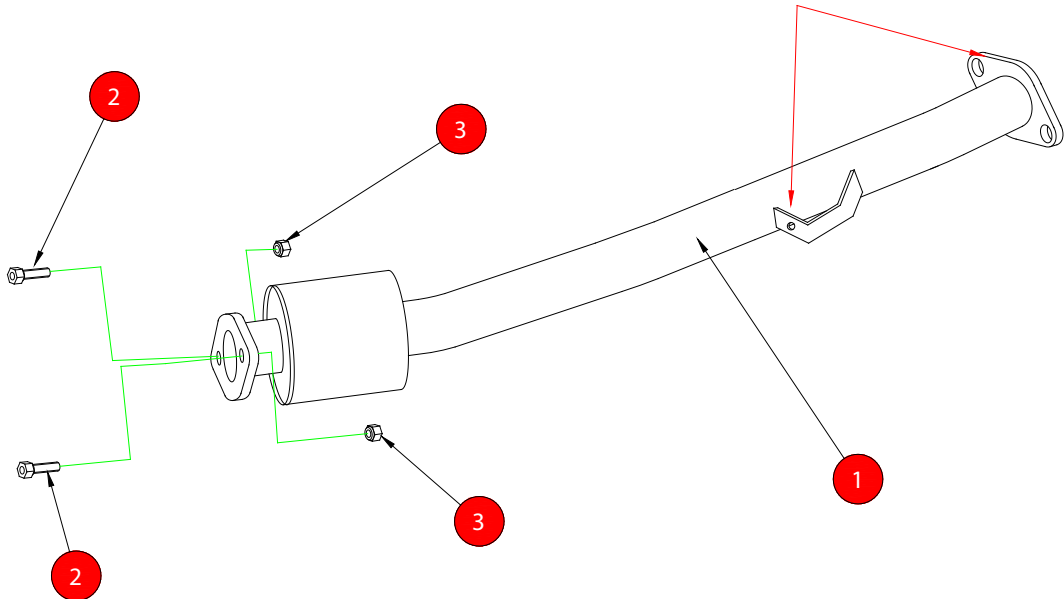


FITTING INSTRUCTIONS

[ ]

CAR	Subaru BRZ 2.0L	PART NO.	SSUC010
YEAR	12-	FIT KITS	102 FK
NOTES	Where not supplied use original fittings	FEATURES	Pipe Diameter:- 63.5mm/2.5"

Use O.E bolt here on the mounting bracket and the flange joint.



NO.	PART NO.	DESCRIPTION	QTY
1	Z11SU	Secondary De-Cat Resonated	1
Fit Kit			
2	Z017.10094	M10x30mm Hex Head Bolts	2
3	Z017.11017	M10 Nut	2

CLASSIFICATION	Motorsport Use Only
HOMOLOGATED	No
DATE	26/09/12
ISSUE	02
AUTHORISED	T.ROWLEY

NOTE: ENSURE SCORPION SYSTEM IS CLEAR OF MOVING PARTS AND ALL ORIGINAL FUNCTIONS WORK CORRECTLY.

Checked By \_\_\_\_\_

